

## Specification

Model	LICE24NHM
Pick up Element	1/3"CMOS
Horizontal Resolution	700TV Line
Minimum Illumination	0.001Lux/F1.2
S/N Ratio	More than 46dB
Scanning System	2:1 interface
Synchronous System	Internal, Negative sync.
Auto Electronic Shutter	NTSC: 1/60s~1/100, 000s, PAL: 1/50s~1/100,000s
Gama Characteristic	0.45
IR Distance	20 Meters (with $\varnothing$ 5X24PCS Infrared LED)
IR Status	Under 10Lux by CDS
IR Power On	CDS AUTO Control
Video Output	1Vpp, 75 $\Omega$
Auto Gain Control	Auto
Power/Current	DC12V (+/-10%)/350mA
Lens	Board Lens 3.6mm/F2.0
Dimension (mm)	86(W) x60(H) x55(D)
Weight (g)	400
Storage Temperature	-30~+60 $^{\circ}$ C RH95% MAX
Operating Temperature	-10~+50 $^{\circ}$ C RH95% MAX

## Packing List

No	Name	Model	Number
1.	Weatherproof IR Color Camera	LICE24NHM	1
2.	User Guide	LICE24NHM	1

## LICE24NHM Color Camera

### Weatherproof IR Color Camera



**Notes : Before providing power for the camera, please read this User Guide in detail!**

Do not attempt to disassemble the camera. If the camera can not work, please contact local franchiser or our company.

### DANG MINH CONSULTANT & INVESTMENT (DMC) PTY LTD

#### Australia Office:

358 Summers road, Riverhills Queensland 4074  
 T: +61 45 246 1970 E: dmc.au@dmc.vn  
 W: <http://www.dmcbuildingsupplies.com.au>

## ■ BRIEF OF PRODUCT

### \* Sensor

Adopt CMOS 1/3" Sensor.

### \* Auto Gain Control (AGC)

Built-in auto gain control (AGC) circuit. The color camera can get high definition picture in low Lux condition.

### \* Auto Electronic Shutter (AES)

Built-in auto electronic shutter function. The color camera's AES speed can reach 1/100,000s.

### \* Gama Characteristic

Camera Gama characteristic is 0.45.

### \* Scanning Mode

NTSC or PAL mode.

### \* Water Resistance

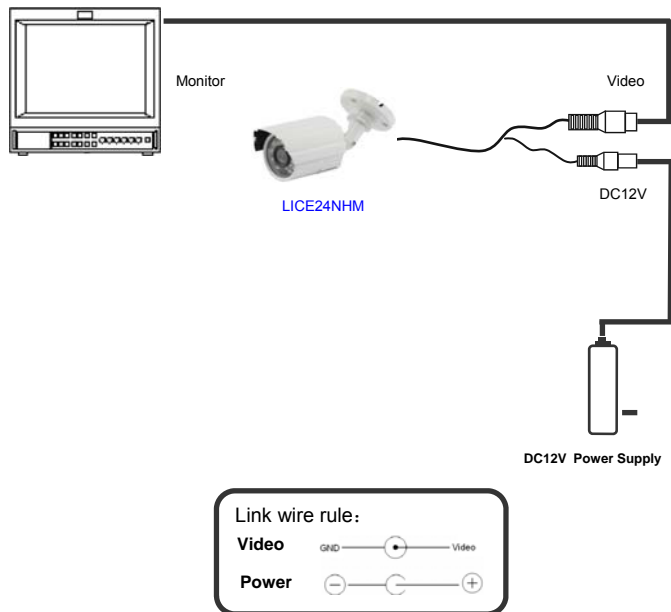
IP66



#### Notes:

- The power supply must through safe attestation. Its output voltage, current, voltage polarity and operating temperature must match the camera's requirement.
- When using the camera in the thunderbolt condition, please note to mount Anti-thunder device or put off the power supply plug and cable.
- In order to capture high quality pictures, the power supply's cable and video output cable should not be too long.

## ■ CONNECTING



## ■ TROUBLE AND SOLUTION

### 1. No Picture after providing power

- . May be the power supply voltage abnormity, please check the power supply voltage and pole whether exactitude.
- . Please check all the connecting cable and monitors whether be connected correctly or not.

### 2. The picture level direction have flowing interference ripples

- . May be caused by the power supply AC ripples, it need filter the wave of the power supply.
- . Check the monitor and peripheral equipments used.

### 3. The picture background color changes continuously

- . The fluorescent lamp's electromagnetic field cause color roll. This is proper phenomenon of the cameras.
- . Reduce the fluorescent lamp numbers or increase the distance between the camera and the fluorescent lamps can improve it.
- . Use power supply external sync. camera can solve it.

### 4. The picture smear too mass

- . The power supply's voltage unstable.
- . Connecting cables not connect correctly or have high impedance.

## ■ INTRODUCTION

Congratulations on your purchase of this product. This User Guide suits LICE24NHM product. We adopt the latest CMOS technical of sensor and driver. The most attractive characteristics are small and easy hidden, suits the elevator and corridor. In addition, it owns the characters of high definition and stability, strong anti-jamming, rich and real color. Fixing and using this model are convenient too. It is very good for you to apply to your CCTV system.

Please read this instruction manual carefully to ensure proper use of the product.



The symbol is intended to alert the user to the presence of important operating and maintenance (servicing) Instructions in the literature accompanying the appliance.



The symbol is intended to alert the user to the presence of uninsulated 'dangerous voltage' within the product's enclosure that may be of sufficient Magnitude to constitute a risk of electric shock to persons.

	<b>CAUTION:</b> RISK OF ELECTRIC. DO NOT OPEN	
<b>SHOCK</b>		
<b>CAUTION: TO REDUCE THE RISK OF ELECTRIC</b>		
<b>DO NOT REMOVE COVER OR BACK NO USER</b>		
<b>SERVICEABLE PARTS INSIDE. REFER SERVICING</b>		

<b>CAUTION: TO PREVENT ELECTRIC SHOCKS AND RISK OF</b>		
<b>FIRE HAZARDS, DO NOT USE OTHER THAN</b>		
<b>SPECIFIED POWER SOURCE.</b>		



#### Note:

- Please note the camera's operating temperature and its using environment requirement. Avoid using the camera at too high or too low temperatures. The operating temperature is -30~+60°C. (Recommendatory operating temperature is -10~+50°C.)
- Never make the camera face the sun or bright object. Otherwise, it will damage the CCD.
- Do not mount the camera near by the radiator or heater.